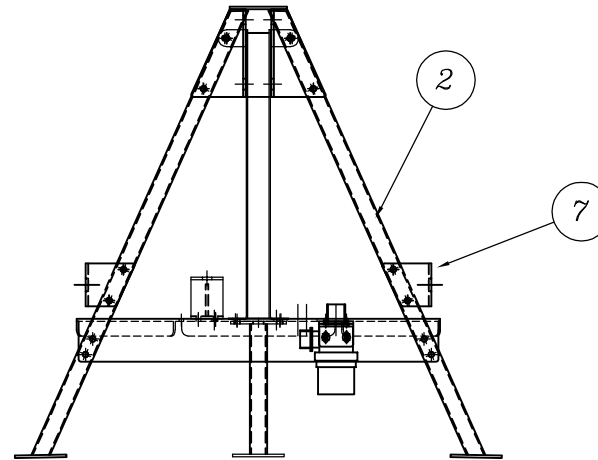
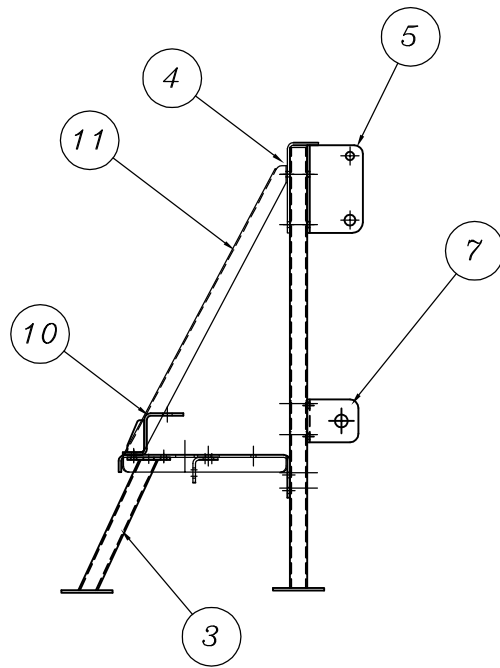
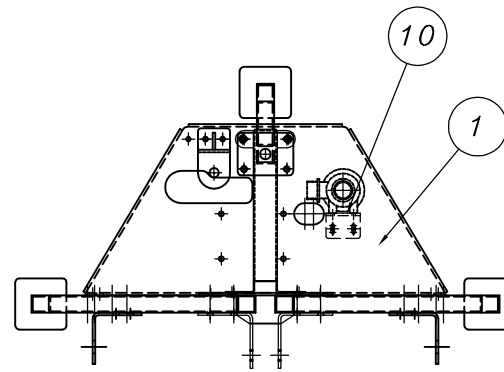


FOR PARTS LIST PLEASE SEE 010451



A	ITEM 7 POSITION CORRECTED	M.L.	19.7.18
REV	MODIFICATION	DRAWN	DATE

Third Angle Projection	
DRAWN BJM	DATE 6.1.12
CHECKED	DATE
APPROVED	DATE
MATERIAL	TOLERANCE
SCALE	

TITLE 1	PTO	DWG.NO 010451	REV. A
TITLE 2	GENERAL ARRANGEMENT		
CUSTOMER	PROJECT		