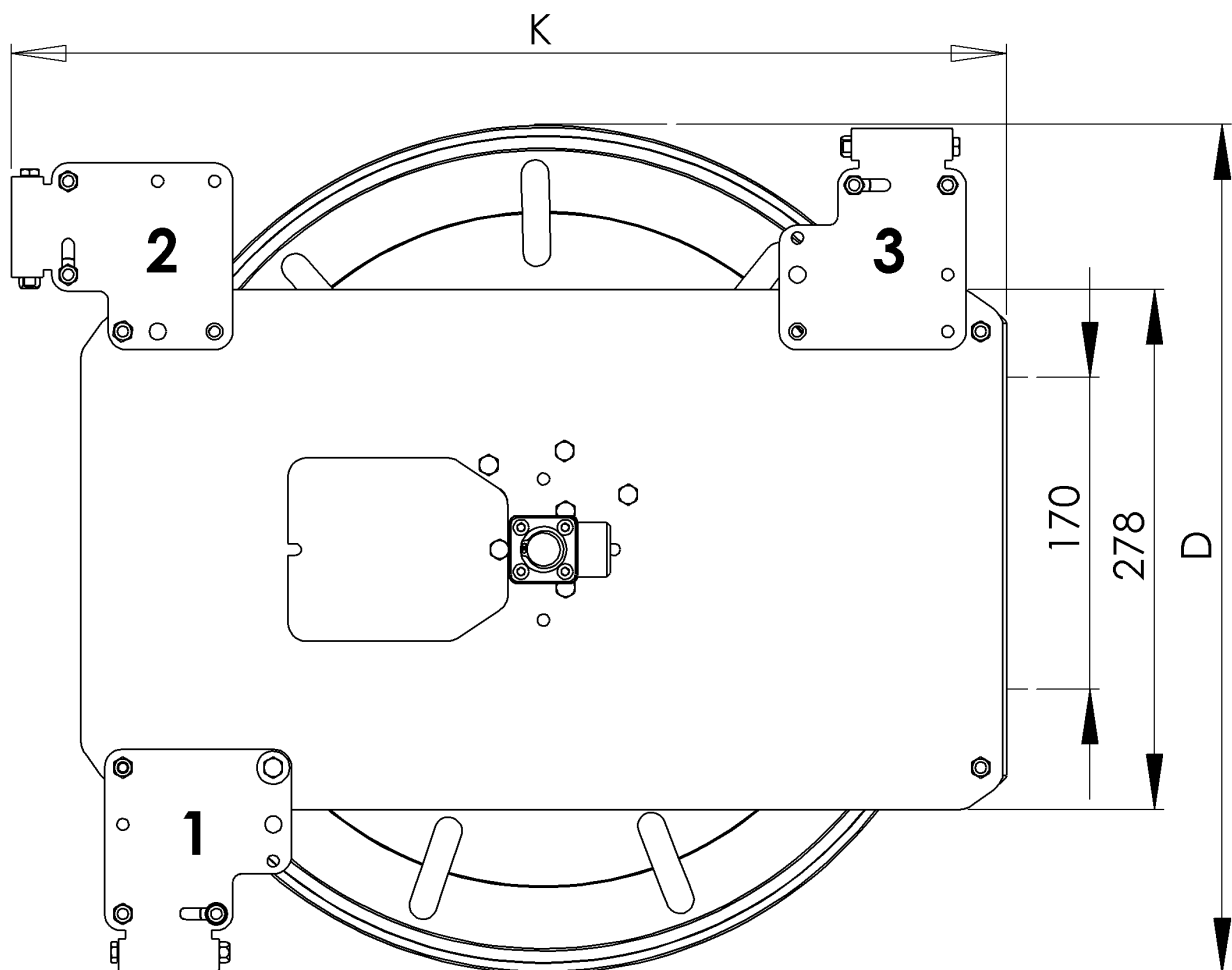
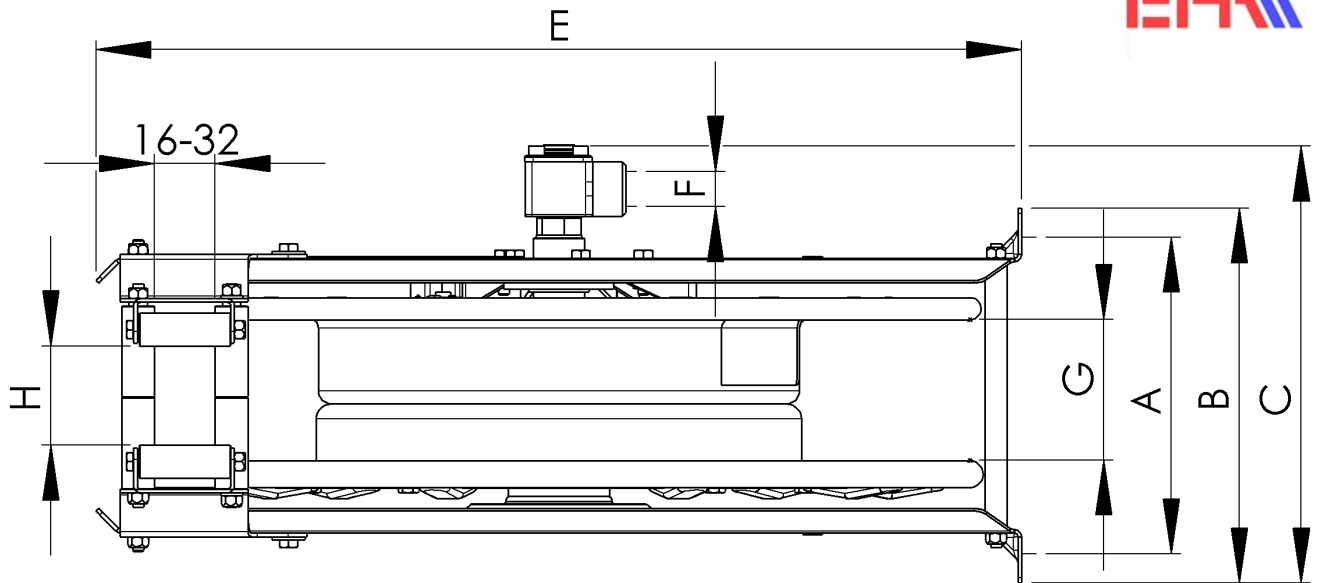


Hose reels series ST, dimensioned drawing



Mounting possibilities of the hose inlet:

Standard position : 1.

Alternative positions : 2, 3.

Hose reels ST Series

Data specification



Type	Product Code	Enrollable hose length in m depending on outer hose diameter				Nominal width / thread F		Max. Pressure	Weight	Dimensions in mm								Surface
		Ø15	Ø20	Ø25	Ø30	mm	Zoll			bar	kg	A	B	C	D	E	G	
ST14/10	V10710002	14	12			10	3/8"	300	14	176	206	239	400	440	75	48	470	Powder coated
ST14/10e	V10710011	14	12			10	3/8"	300	14	176	206	239	400	440	75	48	470	Stainless steel
ST14/10ep	V10710007	14	12			10	3/8"	300	14	176	206	239	400	440	75	48	470	Electro polished
ST14/12	V10710002-1		12			12	1/2"	200	14	176	206	239	400	440	75	48	470	Powder coated
ST14/12e	V1071001101		12			12	1/2"	200	14	176	206	239	400	440	75	48	470	Stainless steel
ST14/12ep	V1071001102		12			12	1/2"	200	14	176	206	239	400	440	75	48	470	Electro polished
ST20/10	V10710005	20	17			10	3/8"	300	16	176	206	239	460	500	75	48	530	Powder coated
ST20/10e	V10710012	20	17			10	3/8"	300	16	176	206	239	460	500	75	48	530	Stainless steel
ST20/10ep	V10710010	20	17			10	3/8"	300	16	176	206	239	460	500	75	48	530	Electro polished
ST20/12	V1071000501		17			12	1/2"	200	16	176	206	239	460	500	75	48	530	Powder coated
ST20/12e	V1071001201		17			12	1/2"	200	16	176	206	239	460	500	75	48	530	Stainless steel
ST20/12ep	V1071001202		17			12	1/2"	200	16	176	206	239	460	500	75	48	530	Electro polished
ST20/19	V10710019		17	10	7	19	3/4"	200	17	176	206	254	460	500	75	48	530	Powder coated
ST20/19e	V10710020		17	10	7	19	3/4"	200	17	176	206	254	460	500	75	48	530	Stainless steel
ST20/19ep	V10710021		17	10	7	19	3/4"	200	17	176	206	254	460	500	75	48		Electro polished
ST30/10	V10710003	28				10	3/8"	300	18	226	256	304	460	500	125	106	530	Powder coated
ST30/10e	V1071000301	28				10	3/8"	300	18	226	256	304	460	500	125	106	530	Stainless steel
ST30/10ep	V1071000302	28				10	3/8"	300	18	226	256	304	460	500	125	106	530	Electro polished
ST30/12	V10710004		25			12	1/2"	200	18	226	256	304	460	500	125	106	530	Powder coated
ST30/12e	V1071000401		25			12	1/2"	200	18	226	256	304	460	500	125	106	530	Stainless steel
ST30/12ep	V1071000402		25			12	1/2"	200	18	226	256	304	460	500	125	106	530	Electro polished
ST40/10/2	V10710013	40	37			10	3/8"	300	25	276	306	339	460	500	182	152	530	Powder coated
ST40/10/2e	V10710014	40	37			10	3/8"	300	25	276	306	339	460	500	182	152	530	Stainless steel
ST40/10/2ep	V10710015	40	37			10	3/8"	300	25	276	306	339	460	500	182	152	530	Electro polished
ST40/12/2	V1071001302		37			12	1/2"	200	25	276	306	339	460	500	182	152	530	Powder coated
ST40/12/2e	V1071001402		37			12	1/2"	200	25	276	306	339	460	500	182	152	530	Stainless steel
ST40/19/1	V10710025		20	20	18	19	3/4"	200	20	276	306	354	460	500	182	152	530	Powder coated
ST40/19/1e	V10710026		20	20	18	19	3/4"	200	20	276	306	354	460	500	182	152	530	Stainless steel
ST40/19/1ep	V10710027		20	20	18	19	3/4"	200	20	276	306	354	460	500	182	152	530	Electro polished
ST40/19/2	V10710022		40	36	30	19	3/4"	200	26,5	376	406	454	460	500	282	252	530	Powder coated
ST40/19/2e	V10710023		40	36	30	19	3/4"	200	26,5	376	406	454	460	500	282	252	530	Stainless steel
ST40/19/2ep	V10710024		40	36	30	19	3/4"	200	26,5	376	406	454	460	500	282	252	530	Electro polished
ST60/10/3e	V10710028	57				10	3/8"	300	32,5	376	406	454	460	500	282	252	530	Stainless steel