

# Suttner unloader valve ST-265 with switch



The choice of perfection



Now also available with a switch



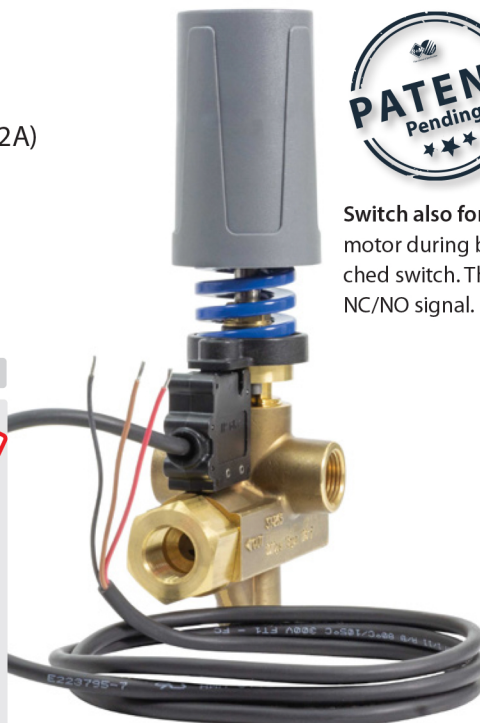
## Suttner unloader valve ST-265 with switch

- Maximum inrush current: 10mA-5A(2A)
- Voltage: 12-24VDC, 12-250VAC
- Protection class IP65
- Cable 1.2 meters 3xAWG20



**Switch also for retrofitting:** If you want to switch off the pump motor during breaks in operation, use the ST-265 with an attached switch. The attached pressure switch is a toggle switch for NC/NO signal.

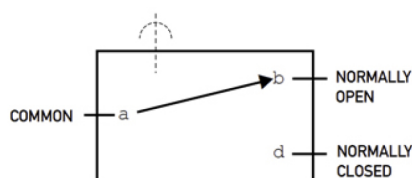
ST-265 with switch



Repair/retrofit kit switch ST-265



☐ = Inlet 3/8" F. ☐ = Outlet 3/8" F.  
 BP = Bypass 3/8" F. Ball check valve. Unloader valve with pressure switch (IP65) and cable 1,200 mm. Max. 350 bar / 80 °C



Switch for Suttner unloader valve ST-265.  
 Protection class IP65  
 Cable 1.200 mm, 3xAWG20.  
 Maximum inrush current: 10mA-5A(2A)

R+M Nr.	☐
200 265 550	50 l/min

R+M Nr.	☑
200 265 430	12-24VDC, 12-250VAC

Version 09.22

# Suttner unloader valve ST-265



The choice of perfection



**Solid «splint»:**  
Professional and robust processing of the pressure-intensive parts.



**Specially shaped:** Innovative, flattened spring contour.



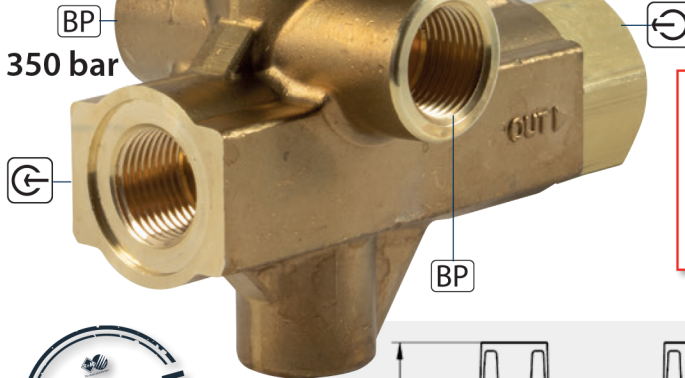
Equipped with ball check valve



## Suttner unloader valve ST-265 with permissible working pressure up to 350 bar

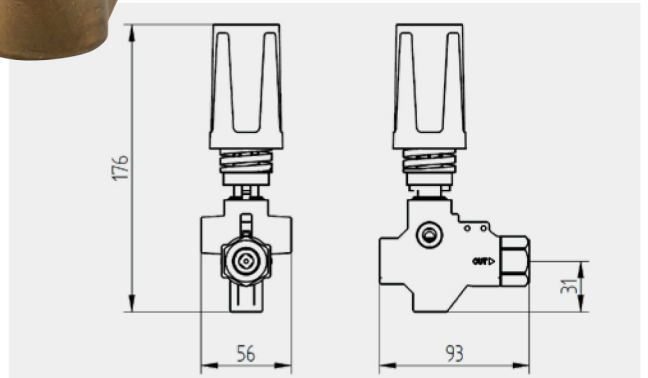
- Soft switching behavior
- Fatigue-free spring
- Particularly easy to maintain
- Low pressure drop
- Valve elements made of high-grade stainless steel and ceramic

BP



Particularly durable!  
High-quality combination of materials

ST-265



### Technical data

max. pressure	350 bar
max. temperature	80 °C
inlet / outlet	3/8" F / 3/8" F
bypass	BP 3/8" F
flow	50 l/min

G = Inlet 3/8" F. G = Outlet 3/8" F.  
BP = Bypass 3/8" F. Check Valve with ball.  
Max. 350 bar / 80 °C

R+M Nr.	200 265 500	50 l/min
---------	-------------	----------



**Only on request:**  
Lid with private label.

