



GAMMA 85/105/125 DIMENSIONS

WEIGHT 83 LBS

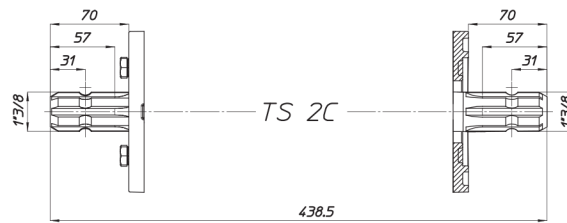
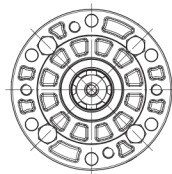
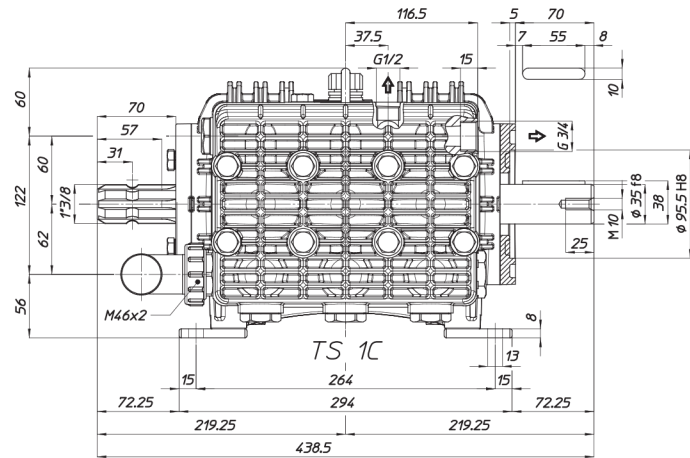
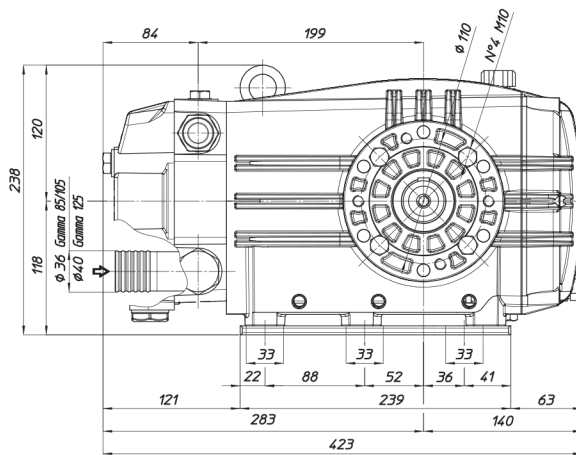
LUBRICATION 128 OZ UDOR LUBE

SHAFT OPTIONS

TS1C ... 1-3/8" 6-Spline Male PTO x 35mm Solid Keyed Thru-Shaft

TS2C 1-3/8" 6-Spline Male PTO Thru-Shaft

*Dimensional Drawings are
Shown in Millimeters.
To Convert to Inches,
Multiply Dimension x 0.03937*



TORQUE SPECS

Ref.	Description	Ft./lb.	Nm	Loctite®
1	Head Bolts	66	90	-
2	Valve Caps	-	-	-
3	Inlet Cap	133	180	-
4	Outlet Cap	103	140	243
5	Bearing Flange Bolts	37	50	-
6	Rear Cover Bolts	8	11	-
7	Connecting Rod Bolts	19	25	243
8	Plunger Bolts	48	65	243
9	Valve Cover Bolts	-	-	-
10	Oil Drain Plug	8	11	-

