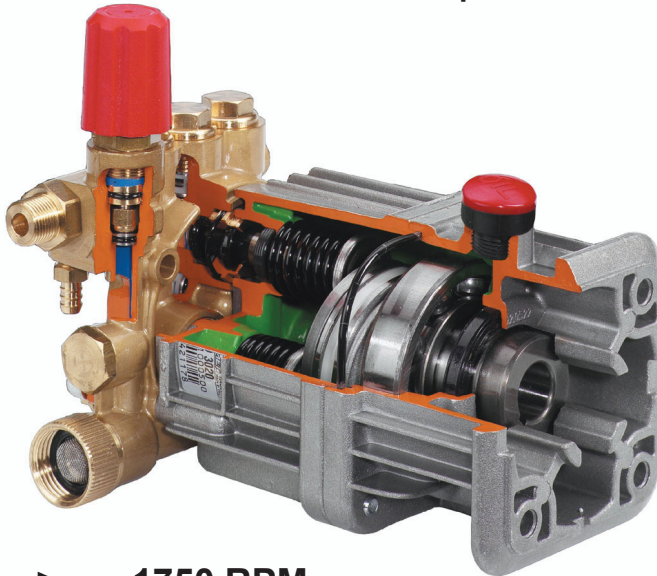


AX Series Commercial Pumps



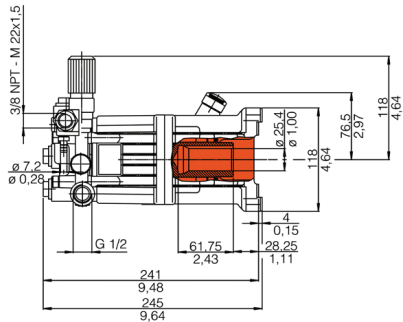
- 3/4" GH Inlet – 3/8" MPT Outlet
- Built-in Uniflow Unloader and Chemical Injector with Inner Stainless Steel Parts
- Abrasion Proof, Heat Resistant, Industrial Ceramic Plungers
- Stainless Steel Unitized Check Valves
- Forged Brass Manifold
- Industrial Duty Construction for Extended Life
- Patent Registered Ball Bearing Design
- Built-in Garden Hose Adapter
- Double-Sealing Buna-Textile V-Packing
- Optional Built-in Thermal Protector (#1215.0354.00)
- Optional Built-in Pressure Relief Valve (#1215.0311.00)

- > 1750 RPM
- > 3400 RPM

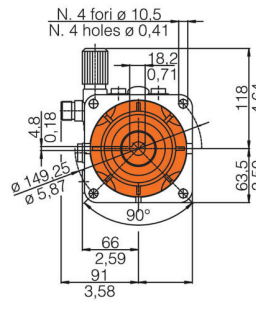
• Torque Specs Available on Page 28

• Additional Flows & Pressures are Available Upon Request

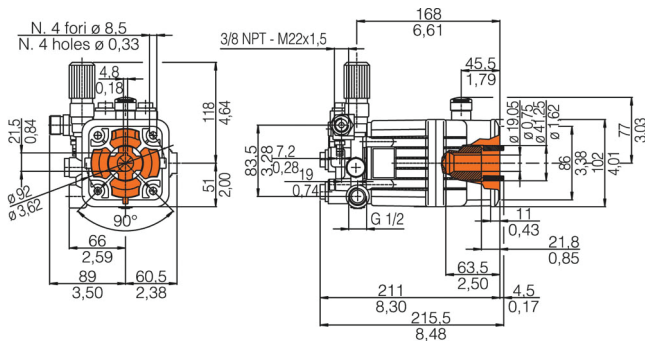
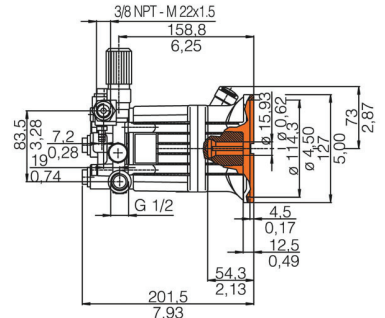
Takes 6 Ounces Pump Oil



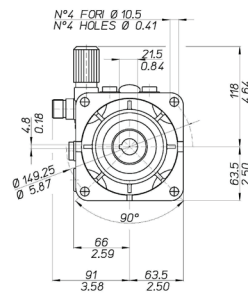
**Gas Flange
AXD-G 3000 PSI**



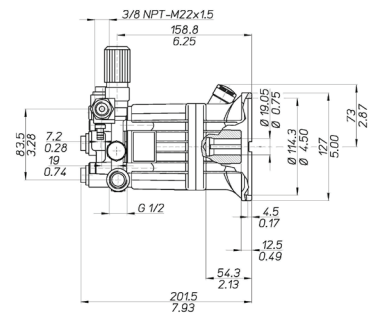
**Electric Flange
AXD/S-E**



**Gas Flange
AXD-G 2700 PSI**




**Electric Flange
AX-GE**



AXD SERIES > Pumps-Gas Flange

3400 RPM - 3/4" Hollow Shaft

Pallet Qty: 100-Boxed; 96 Egg-Crated; Exception Below
 • 3/4" Inlet – 3/8" MPT Outlet

PART #	MODEL #	GPM	PSI	RPM	SHAFT	PISTON	WT
6501.0005.00	AXD 3020 G	2.7	2000	3400	3/4" Hollow	14mm	13.0
6501.0008.00	AXD 3522 G	3.3	2200	3400	3/4" Hollow	14mm	13.0
6501.0050.00	AXD 2524 G-T	2.4	2400	3400	3/4" Hollow	14mm	13.0
6501.0051.00	AXD 2524 G	2.4	2400	3400	3/4" Hollow	14mm	13.0
6501.0006.00	AXD 3025 G	2.9	2500	3400	3/4" Hollow	14mm	13.0
6501.0017.00	AXD 3525 G	3.3	2500	3400	3/4" Hollow	14mm	13.0
6501.0063.00	AXD 2427 G	2.4	2700	3400	3/4" Hollow	14mm	13.0
6501.0059.00 ¹	AXD 2527 G-T	2.5	2700	3400	3/4" Hollow	14mm	13.0
6501.0025.00	AXD 2527 G	2.5	2700	3400	3/4" Hollow	14mm	13.0
6501.0065.00*	AXD 2527 G	2.5	2700	3400	3/4" Hollow	14mm	13.0 

"T" Denotes Stainless Steel Pistons; * Includes Thermal Relief & Plug; Pallet Qty: 60 Boxed, 100 Egg-Crated
 1-Egg-Crated Pallet Qty 100

AXD SERIES > Pumps-Electric Flange

1750 & 3400 RPM - 5/8" & 3/4" Hollow Shaft

NEMA 56C Electric Motor Flange

Pallet Qty: 60-Boxed; 72 Egg-Crated *Exceptions below
 • 3/4" Inlet – 3/8" MPT Outlet

PART #	MODEL #	GPM	PSI	RPM	SHAFT	PISTON	WT
6502.0009.00	AXS 0415 E	0.4	1500	1750	5/8" Hollow	14mm	13.0
6502.0010.00	AXS 0615 E	0.6	1500	1750	5/8" Hollow	14mm	13.0
6502.0005.00	AXS 0915 E	0.9	1500	1750	5/8" Hollow	14mm	13.0
6502.0008.00	AXS 1315 E	1.3	1500	1750	5/8" Hollow	14mm	13.0
6502.0006.00 ³	AXS 2015 E	1.7	1500	1750	5/8" Hollow	14mm	13.0
6501.0038.00* ¹	AXD 2020 E	1.7	2000	3400	5/8" Hollow	14mm	13.0
6501.0010.00	AXD 2020 E	1.9	2000	3400	5/8" Hollow	14mm	13.0
6501.0098.00	AXD 2020 E-T	1.9	2000	3400	5/8" Hollow	14mm	13.0
6501.0012.00	AXD 2520 E	2.5	2000	3400	5/8" Hollow	14mm	13.0
6501.0013.00	AXD 3020 E	2.9	2000	3400	5/8" Hollow	14mm	13.0
6501.0087.00	AXD 3020 GE	2.9	2000	3400	3/4" Hollow	14mm	13.0
6501.0090.00 ³	AXD 2527 GE	2.5	2700	3400	3/4" Hollow	14mm	13.0

*5.5 Degree Cam 1-70 Egg-Crated 2-96 Boxed 3-60 Egg-Crated

"T" Denotes Stainless Steel Pistons

AXD SERIES > Pumps-Gas Flange

3400 RPM - 1" Hollow Shaft

Pallet Qty: 60-Boxed; 72 Egg-Crated
 • 3/4" Inlet – 3/8" MPT Outlet

PART #	MODEL #	GPM	PSI	RPM	SHAFT	PISTON	WT
6501.0024.00	AXD 3030 G	2.9	3000	3400	1" Hollow	14mm	14.5
6501.0027.00	AXD 3530 G	3.3	3000	3400	1" Hollow	14mm	14.5
6501.0023.00	AXD 4030 G	3.7	3000	3400	1" Hollow	14mm	14.5

AXD Repair Kits (Kits also on Pages 27 & 28)

AXD up to 2400 PSI Repair Kits

5019.0077.00	Seal Kit, Water
1215.0585.00	Unloader Repair Kit, 2610 PSI
5025.0014.00	Check Valve Kit Universal
2409.0092.00	Piston Kit
5019.0079.00	Seal Kit, Oil

AXD 2500+ PSI Repair Kits

5019.0077.00	Seal Kit, Water
1215.0586.00	Unloader Repair Kit, 4000 PSI
5025.0014.00	Check Valve Kit Universal
2409.0092.00	Piston Kit
5019.0079.00	Seal Kit, Oil

AXD 3000 PSI Repair Kits

5019.0086.00	Seal Kit, Water
1215.0586.00	Unloader Repair Kit, 4000 PSI
5025.0014.00	Check Valve Kit Universal
2409.0103.00	Piston Kit
5019.0079.00	Seal Kit, Oil